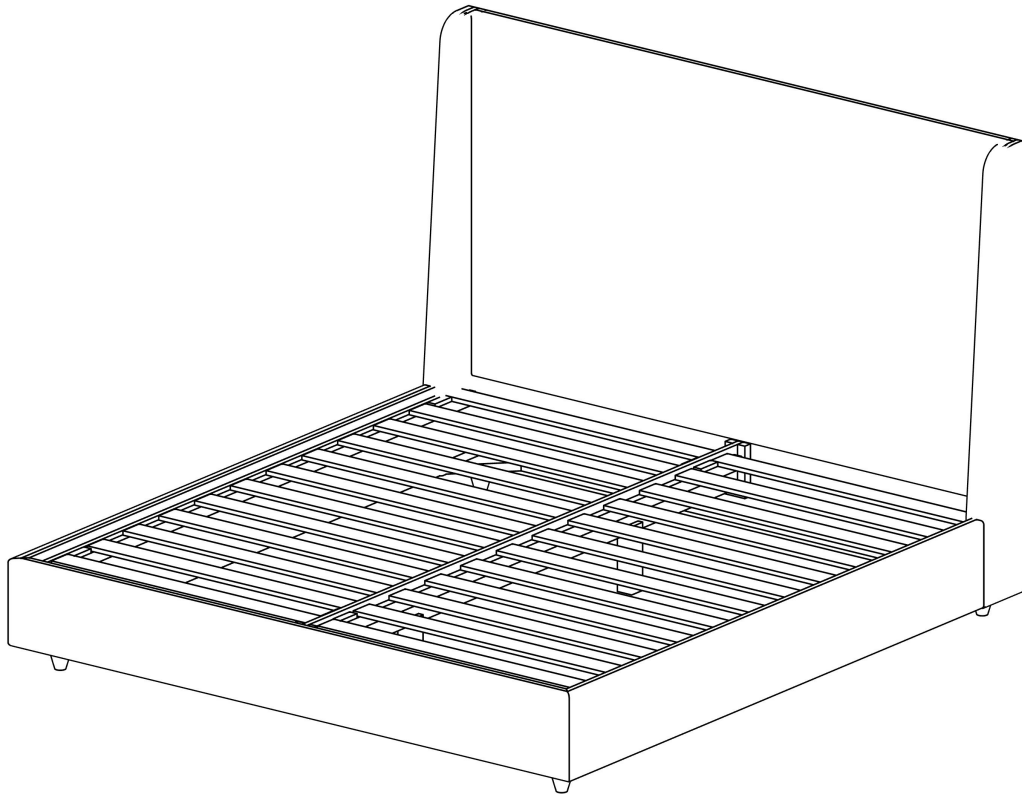


ASSEMBLY INSTRUCTIONS



CALIFORNIA BED

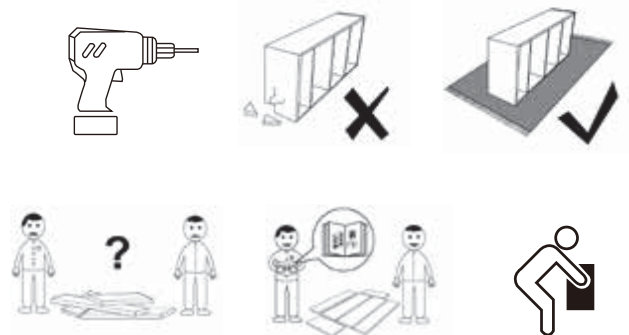
Product Code :-
HOBED00048,100,101,102

ASSEMBLY RATING

The Assembly Rating is a 5-point system that shows the degree of effort needed in assembling a specific product (with 1 being easy and 5 being difficult). For most products, two persons are recommended.

EASY ●●○○○ DIFFICULT

Requirement for Assembly



2 PERSON RECOMMENDED

HARDWARES

ASSEMBLED PRODUCT



(SCREW3.5X16)

32 nos



(BED CLAMP 100mm)

4 nos



(SCREW3.5X25)

30 nos



(SCREW3.5X30)

40 nos



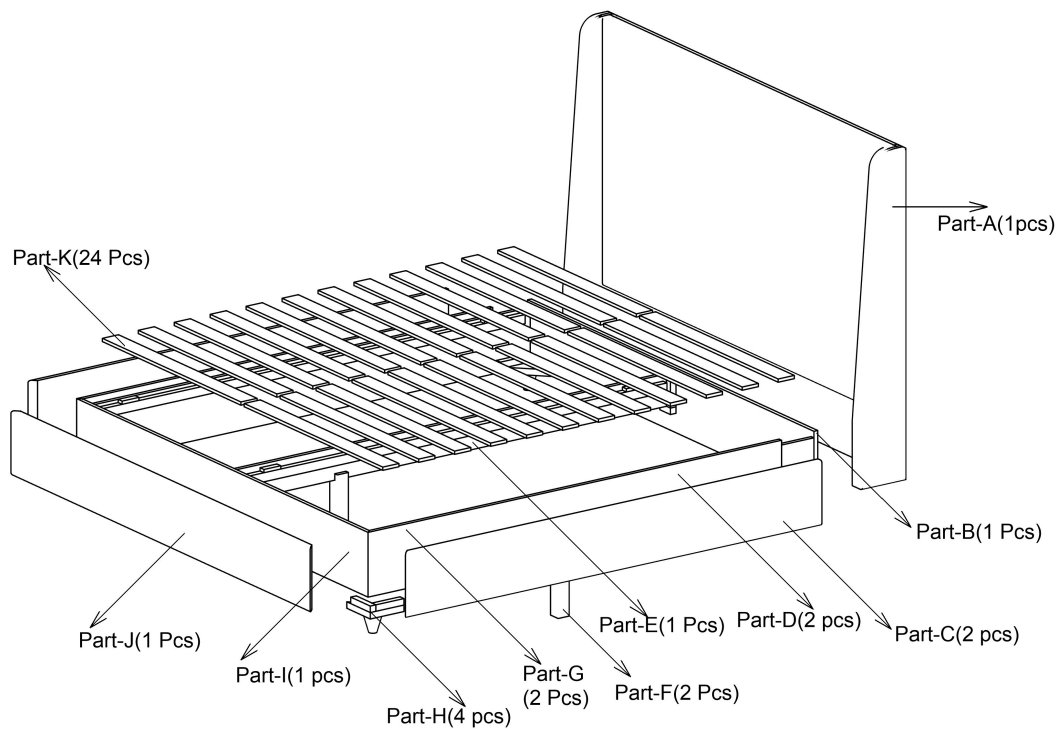
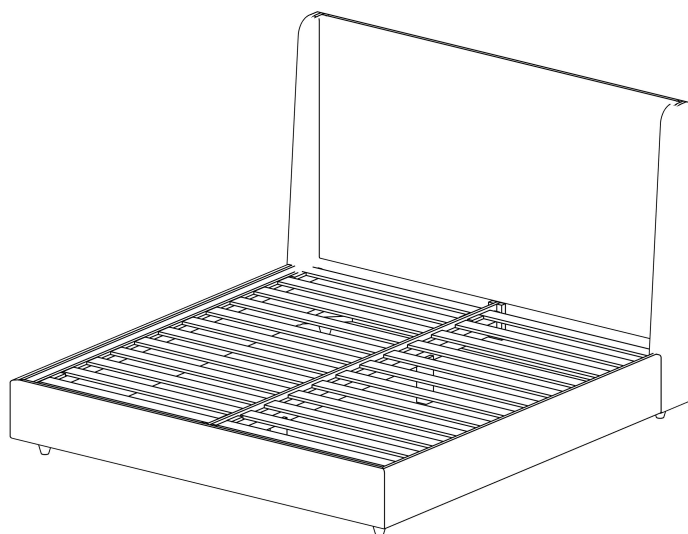
(SCREW3.5X35)

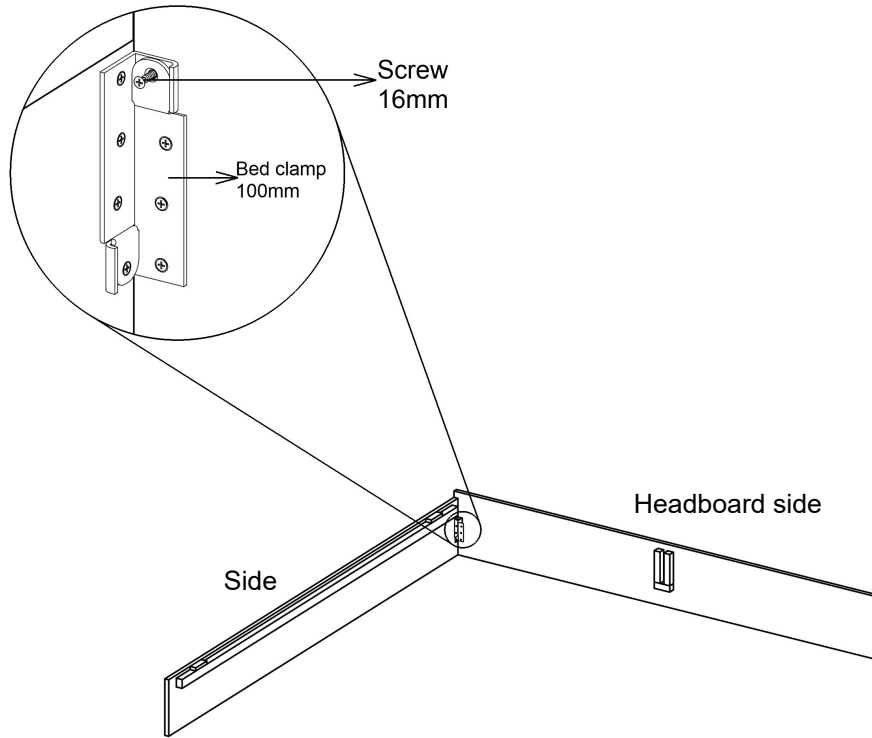
16 nos



(SCREW3.5X40)

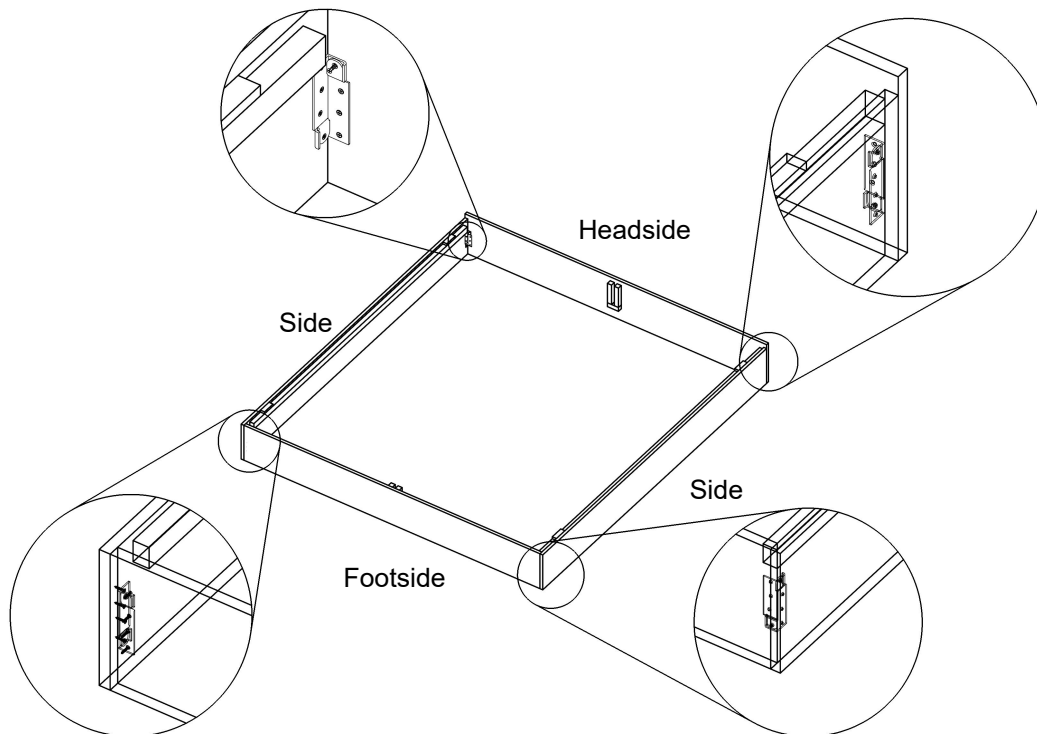
04 nos





STEP 01

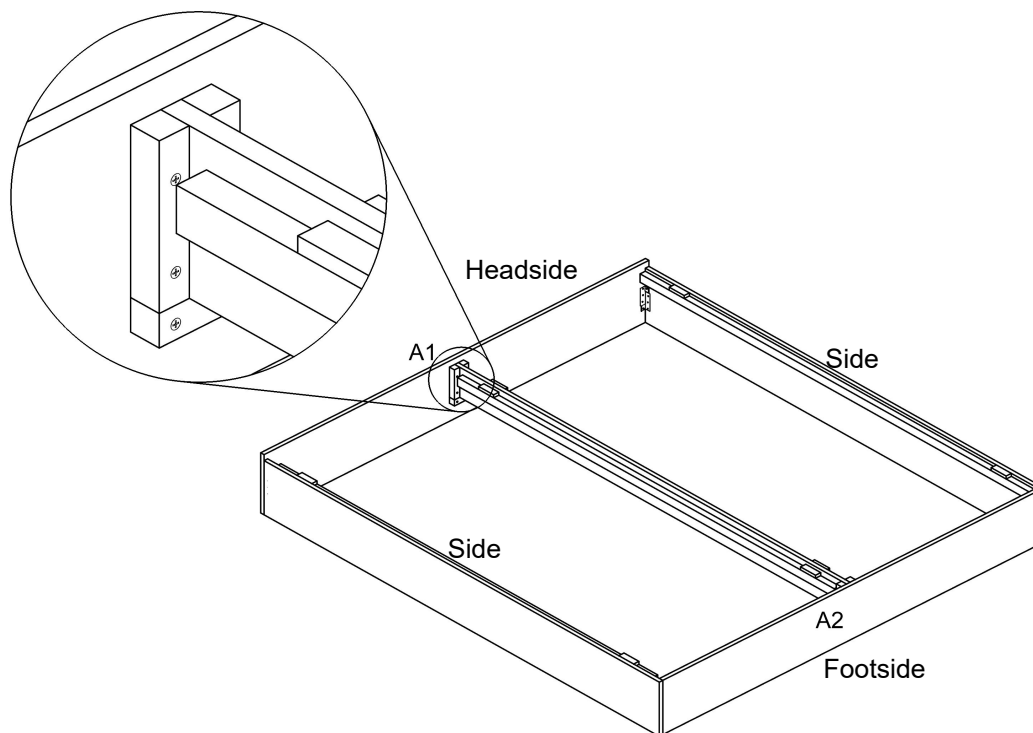
Fix Part-B and Part -C by Bed clamp of 100mm with the help of screw 3.5x16mm screw by using screw driver as shown in Fig.



STEP 02

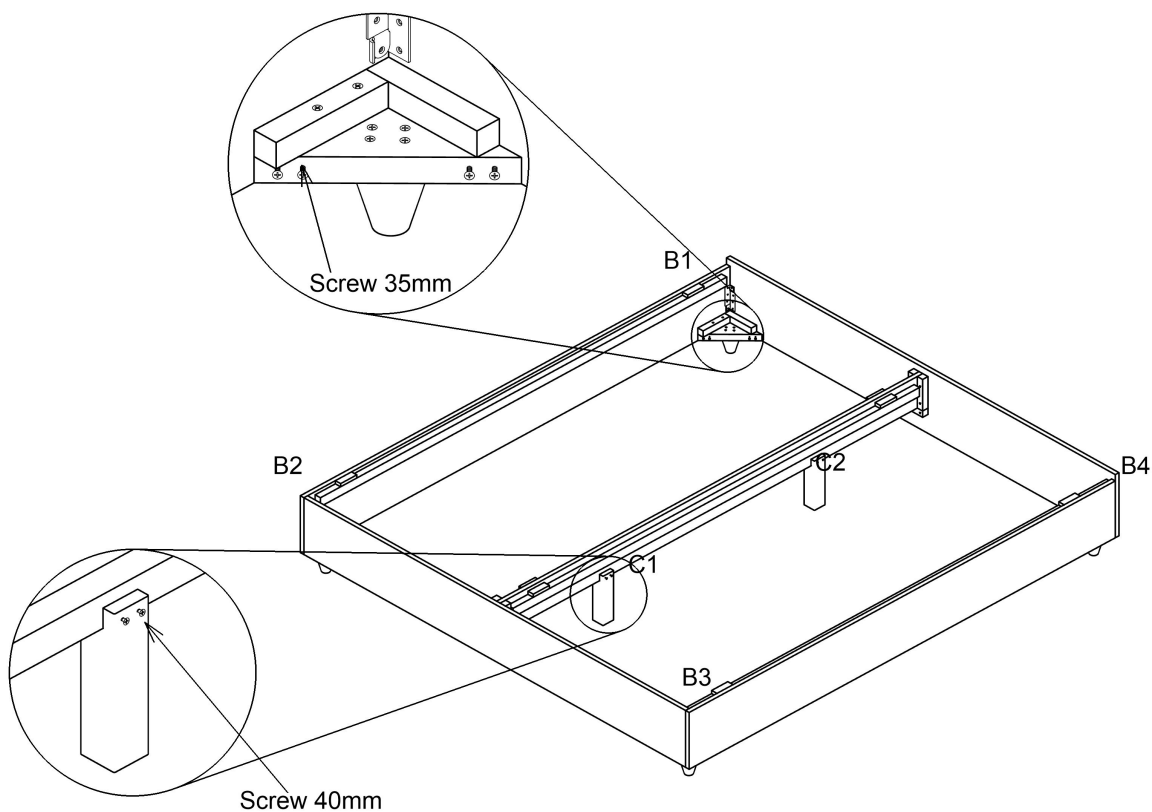
Fix part -J and other side of part-C with bed clamp 100mm using 3.5x16mm screws using screw Driver similar to STEP 01 as shown in fig.

STEP 03



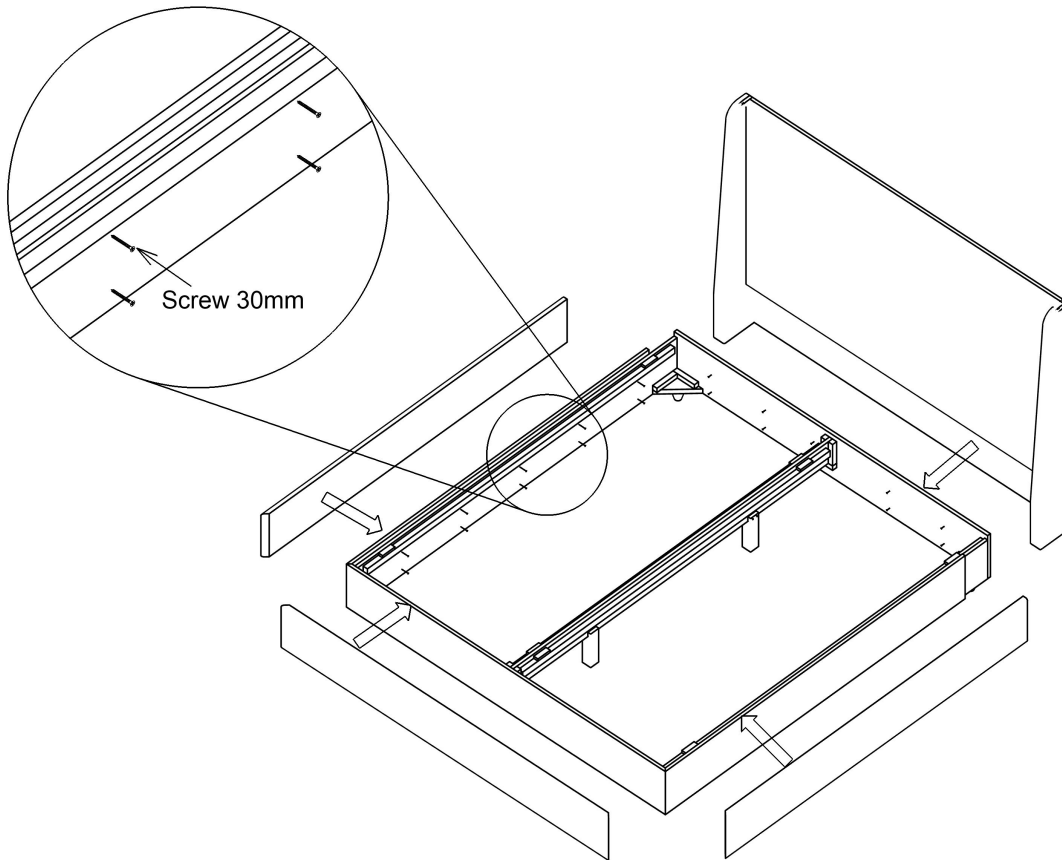
Place the middle part i.e.Part-E in U-batten slot at position A1 and A2 as shown in fig.

STEP 04



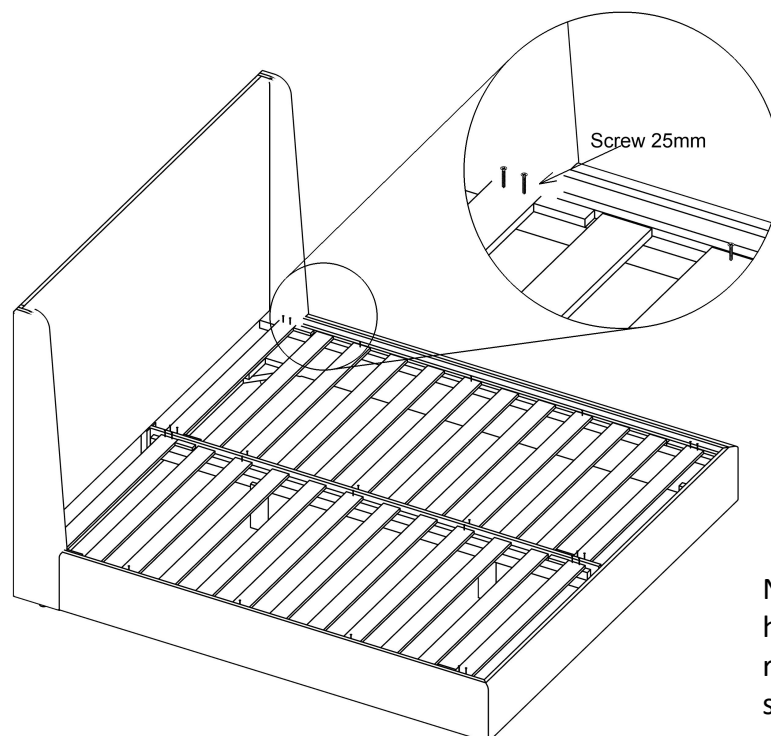
Fix the Part -F and Part -H using screw of 35mm and 40mm as shown in fig.

STEP 05



Fix the Part-A(headboard),Part-C&Part-J (Fabric panel) with screw of 30mm screw as shown in fig.

STEP 06



Note:-1st and last slates have double screw and remaining slates have single screw

Now place the Part-K(Seat Panels) on last assembled part as shown in Fig.(Top LVL slates which is fixed by niwar to each other will fixed by screws at 1st, 3rd, 6th, 9th and 12th slate on batten.)
Place the mattress and your bed is ready.

Thank you for your purchase!

We hope you will enjoy your new product for many years to come. Our commitment to providing quality products does not simply end when a purchase is made. We stand behind our products and will provide any support needed in order for you to fully enjoy your purchase. Your satisfaction is the greatest recognition we could have.

Because we value your trust in our company, we will do our best to meet your service expectations. Should you have any assembly related questions, parts replacement requests, comments or suggestions, please feel free to contact us any time. To help expedite the service, please have the assembly instructions available, along with your order receipt.

Note :

Do not dispose of any packaging or contents of the shipping carton until assembly is completed to avoid accidentally discarding small parts or hardware.

CARE INSTRUCTIONS

Clean

- Dust off with a soft dry cloth only.
- For cleaning, use a mild cleansing agent. Do not use agents with sanding properties or which contain ammonia or bleach.

Stains

- Take care of spills immediately. Absorb the spill with a clean white cloth or paper towel. Gently dab the surface and lift the stains.

Avoid

- Keep the furniture away from direct sunlight and away from heat sources; excessive exposure to sunlight may fade the colour of the upholstery.
- To protect furniture from moisture, avoid placing the furniture in direct contact with damp walls. In case of contact, wipe the furniture promptly with a dry, soft and lint-free cloth.
- Always use a coaster and mats while placing hot, cold or wet materials on the furniture to avoid surface damage.
- Always lift and place furniture pieces while repositioning. Dragging the furniture over a prolonged period of time can weaken the joints.
- Avoid using furniture polish, chemical solvents and cleaners for our range of children's furniture.

